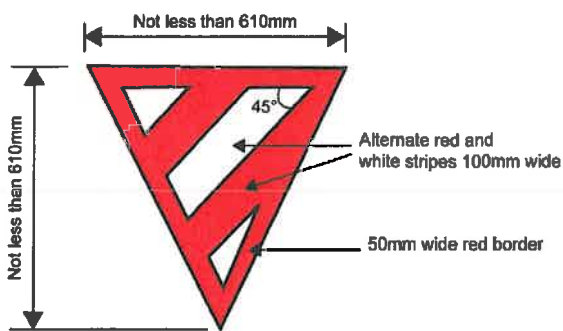
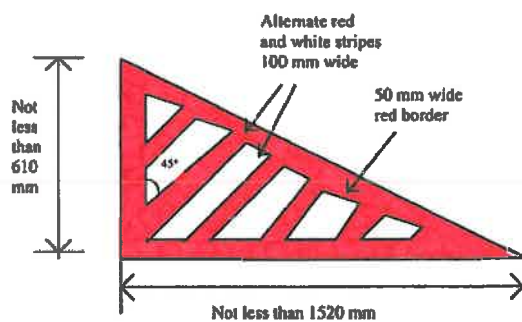


# The Road Vehicles (Construction and Use) (Amendment) (No. 4) regulations 1991

Front or Rear Marker

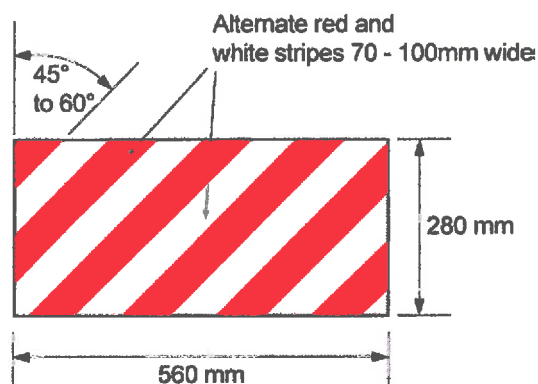
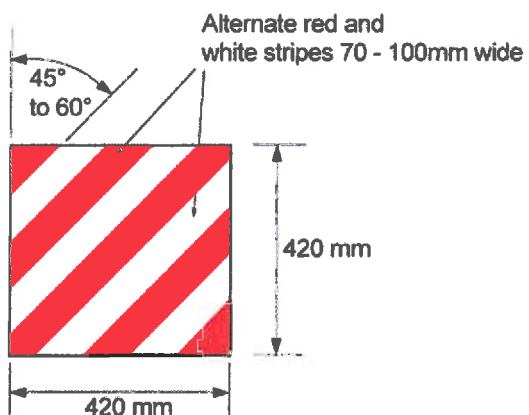


Side Marker



STGO loads may be marked using the European style rectangular red/white striped markers.

(Note: these are minimum dimensions)



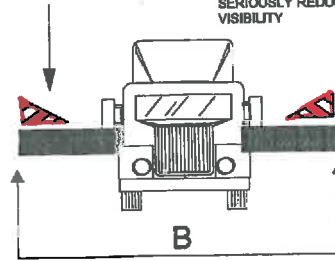
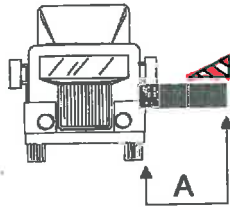
# WIDTH AND LATERAL PROJECTIONS OF LOADS

MEASUREMENT OF A OR B EXCEEDS	C&J	S.T.G.O.	CONDITION		
A exceeds 305mm B does not exceed 3m	N/A	YES	POLICE NOTICE 2 DAYS		WIDTH MARKERS
A exceeds 305mm or B exceeds 2.9m	YES	N/A	POLICE NOTICE 2 DAYS		WIDTH MARKERS
B exceeds 3.0m	N/A	YES	POLICE NOTICE 2 DAYS		WIDTH MARKERS
B exceeds 3.5m	YES	YES	POLICE NOTICE 2 DAYS	ATTENDANT	WIDTH MARKERS
B exceeds 4.3m	N/A	YES	POLICE NOTICE 2 DAYS	ATTENDANT	SPEED RESTRICTION MWAY 40 mph DUAL 35 mph OTHER 30 mph WIDTH MARKERS
B exceeds 5m	N/A	YES	POLICE NOTICE 2 DAYS and SEC OF STATE	ATTENDANT	SPEED RESTRICTION MWAY 40 mph DUAL 35 mph OTHER 30 mph WIDTH MARKERS

STGO LOADS ONLY  
LATERAL PROJECTIONS IN  
EXCESS OF 305 MM CAN  
BE MARKED BY DAY GLOW  
RED, WHITE OR YELLOW  
TAPE OR A COMBINATION  
OF COLOURS AS AN  
ALTERNATIVE TO MARKER  
BOARDS

ALL WIDTH MARKERS TO  
BE DISPLAYED FRONT  
AND REAR

MARKERS TO BE LIT  
BETWEEN SUNSET AND  
SUNRISE AND IN  
SERIOUSLY REDUCED  
VISIBILITY



## PROJECTION

PROJECTIO	MEASUREMENT OF "A" EXCEEDS		CONDITION	
	C&J	S.T.G.O.		
<p>REAR</p>	0 -1m		NO REQUIREMENT	
		0 -1m	NO REQUIREMENT	
	1 -2m		REAR CLEARLY VISIBLE	
		1 - 3.05m	REAR MARKER	▽
	2 - 3.05m		REAR MARKER	▽
	exceeds		REAR MARKER POLICE NOTICE 2 DAYS ATTENDANT	▽ ▽ ▽
<p>FRON</p>	0-2m		NO REQUIREMENT	
		1 - 2m	FRONT MARKER	▽
	2-3.05m		FRONT MARKER SIDE MARKERS if ex 2m ATTENDANT	▽ ▽ ▽
		2 - 3.05m	FRONT MARKER 1 SIDE MARKERS if ex 3m ATTENDANT	▽ ▽ ▽
	exceeds		FRONT MARKER ATTENDANT POLICE NOTICE 2 DAYS SIDE MARKERS if exceeds 3m, 1 if exceeds 4.5m, every 2.5m	▽ ▽ ▽ ▽ ▽
		exceeds 3.05m	FRONT MARKER ATTENDANT POLICE NOTICE 2 DAYS SIDE MARKERS if exceeds 3m, 1 if exceeds 4.5m, every 2.5m	▽ ▽ ▽ ▽ ▽